



SV Hub & Spigot Installation Instructions

09/13rev

MATERIALS NEEDED

Proper, approved equipment and attire

- AB&I cast iron soil pipe and fittings
- Ty-Seal® or EZ-Tight® gaskets
- Ty-Seal® Lube or Lubri/Fast® Adhesive Lubricant
 - Ty-Seal Lube® for 2" through 4" sizes
 - Lubri/Fast® Adhesive Lube for sizes 5" through 15"
- Brush for lubricant application

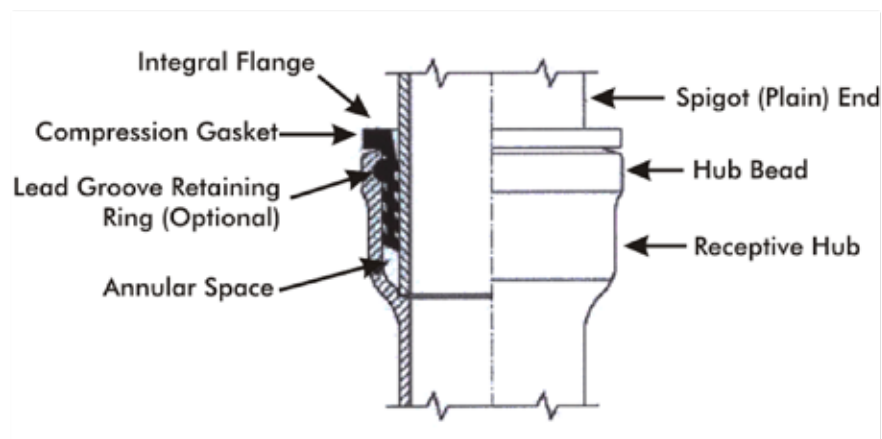
Note: Lubri/Fast® Adhesive Lubricant may be used on all sizes of pipe and fittings

Lubri/Fast® is required when using 5" through 15" pipe and fittings

INSTALLATION

1. Clean the hub and pipe or fitting end to be joined. They should be free of dirt, mud, gravel, or other foreign material
2. Insert the gasket into the hub. When joining 5" or larger pipe and fittings, apply Lubri/Fast® Adhesive Lubricant to the inside surface of the hub before inserting the gasket.
3. Lubricate the inside surfaces of the gasket and the outside of the spigot end to be joined using a brush. (Use Ty-Seal® Lube for sizes 2" through 4". Use Lubri/Fast® Adhesive Lubricant for sizes 5" through 15").
4. Align the pipe and/or fittings to be joined. Push or pull the pipe or fitting spigot into the hub. You will feel the pipe or fitting "bottom out" at the hub. The assembly tool of your choice may be used.

NOTE: If joining a cut piece of pipe, the sharp edges of the pipe must be "peened" with a hammer or filed to remove the sharp edge. Failure to remove the sharp edge on cut pipe will make assembly difficult.



Note: All gaskets specified meet or exceed the requirements of ASTM C564 and ASTM C1553.